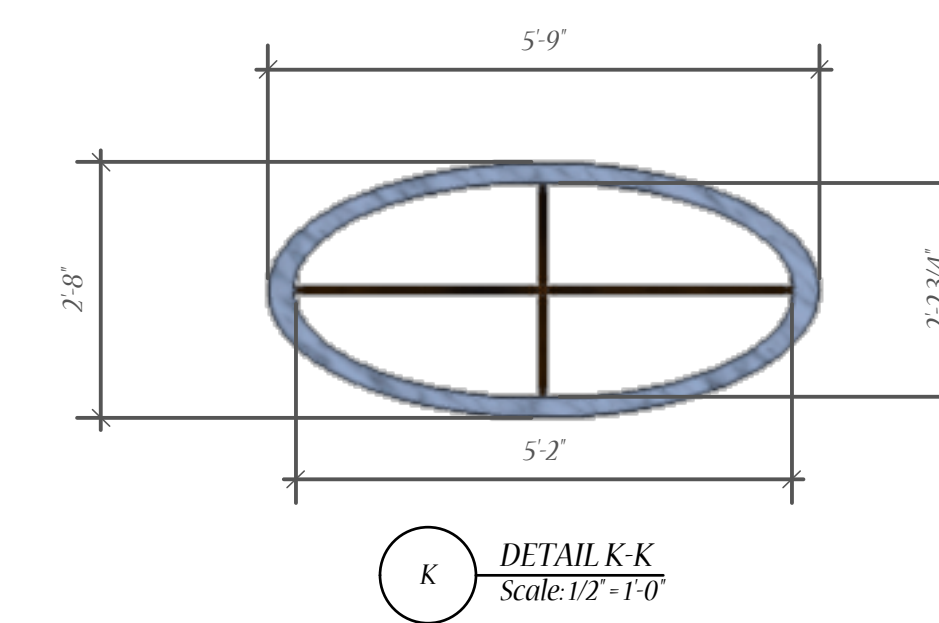
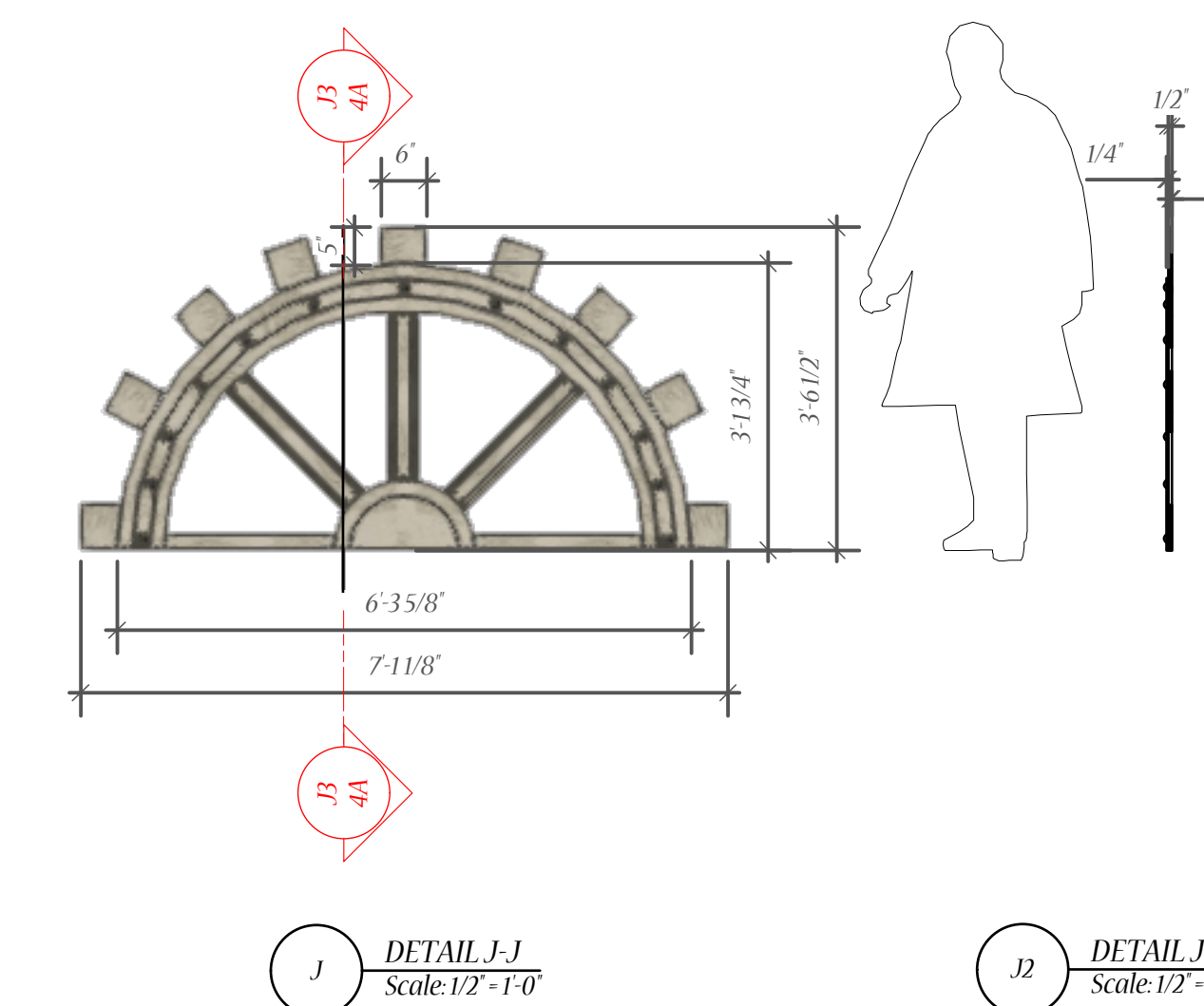
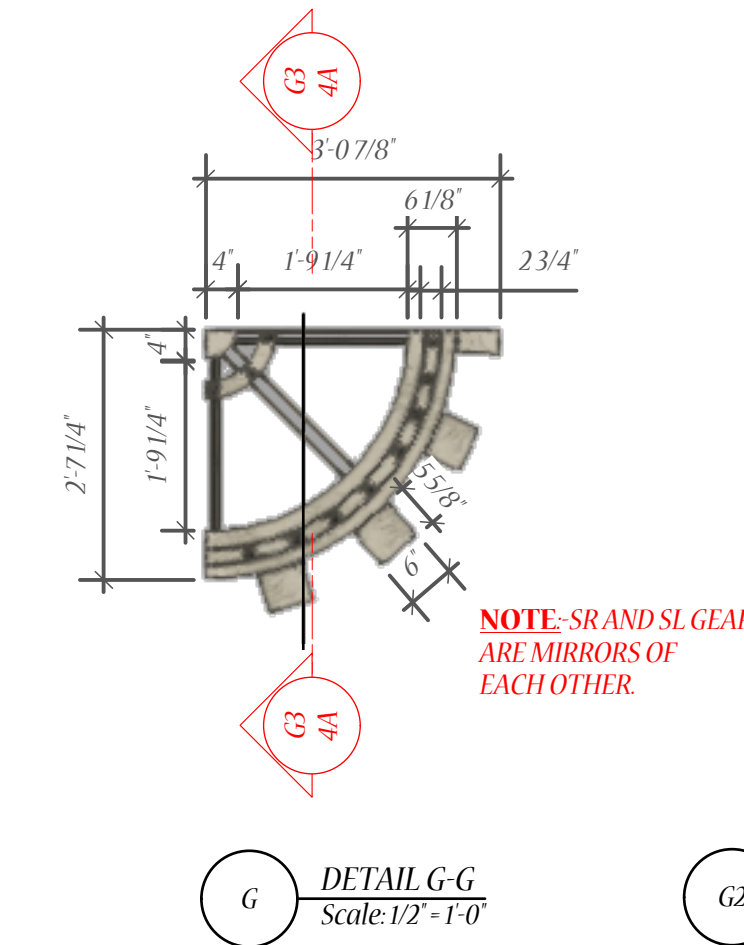
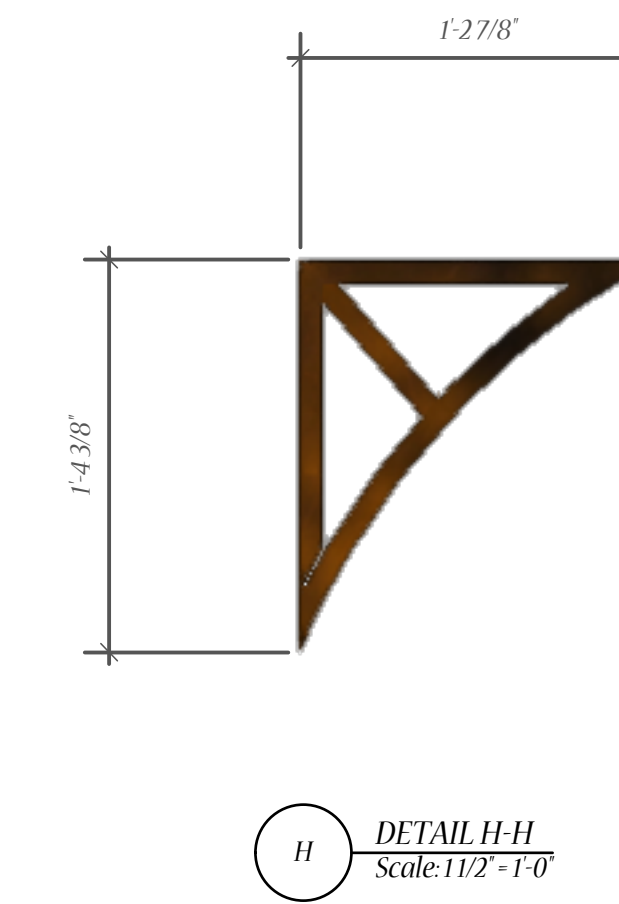
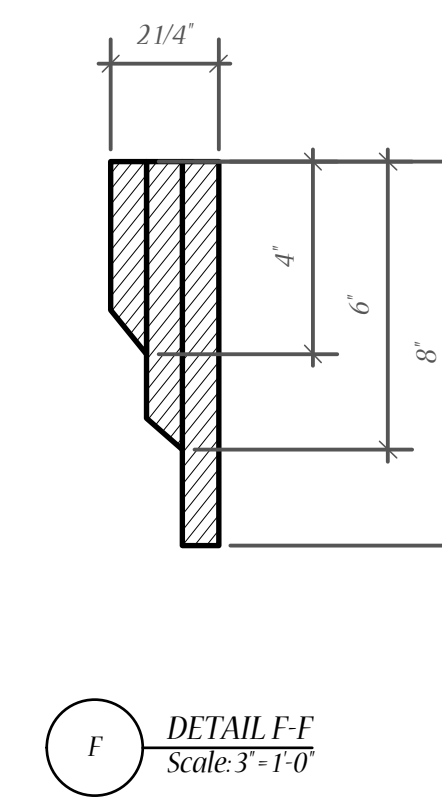
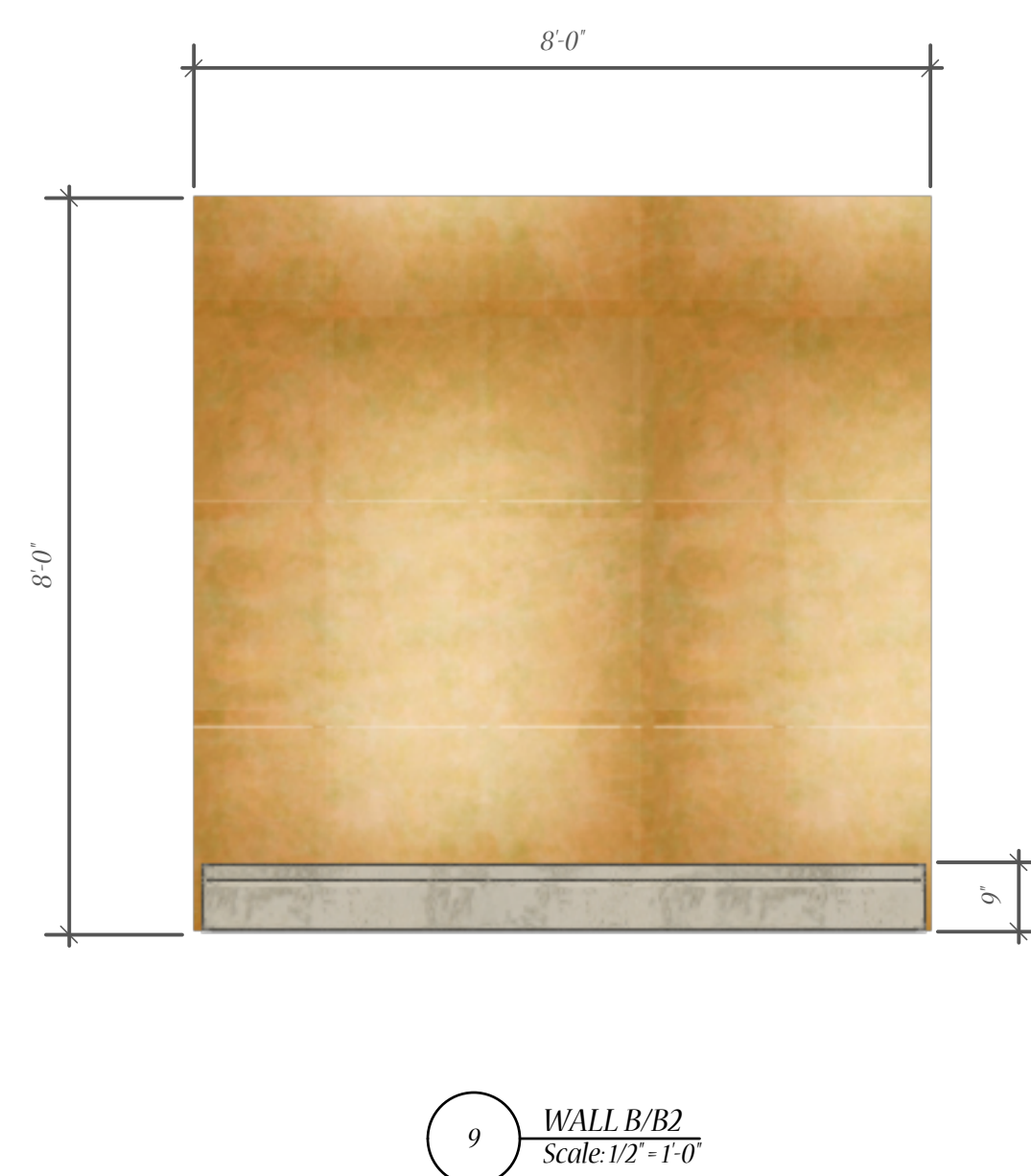
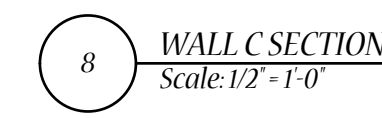
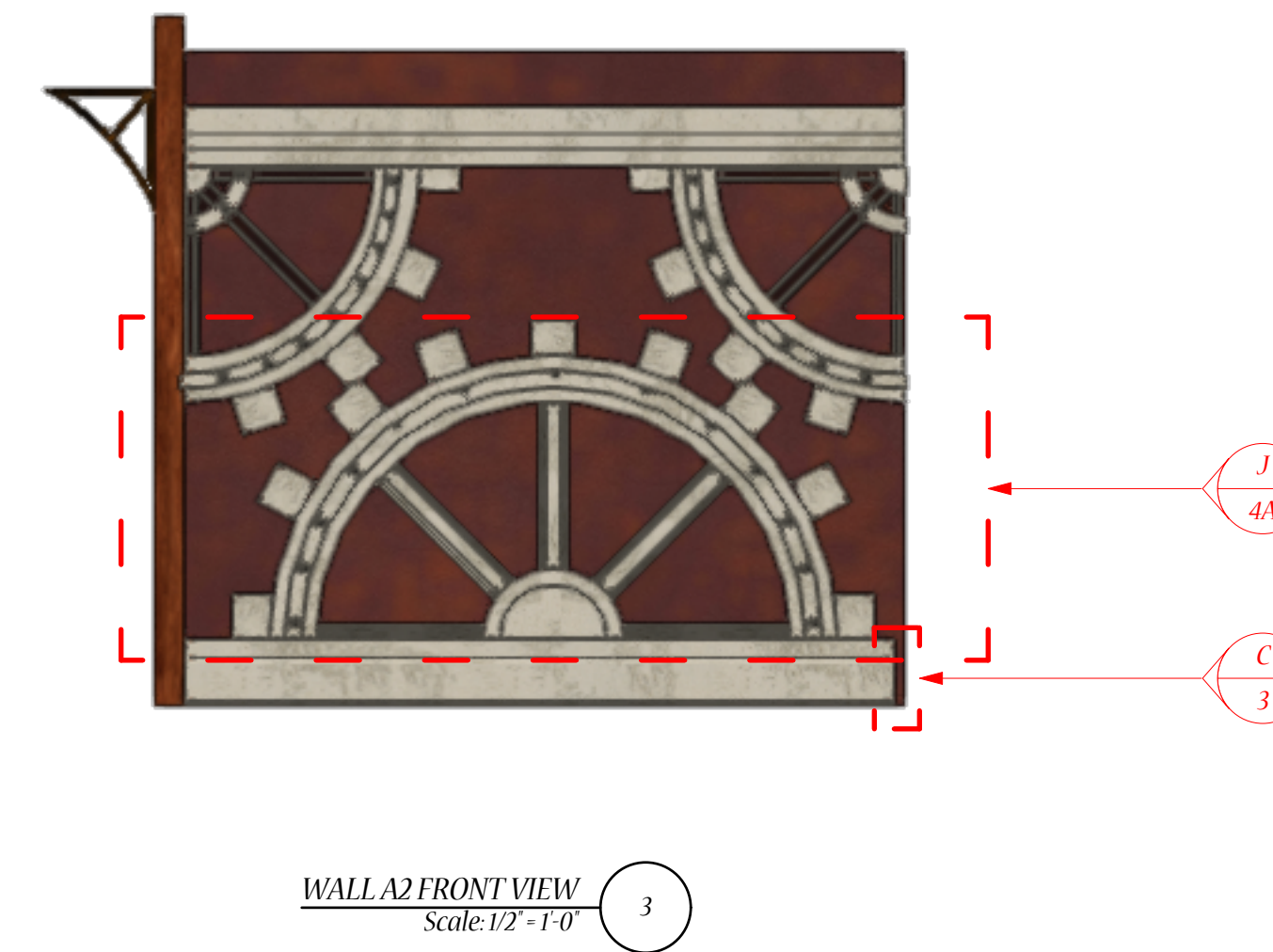
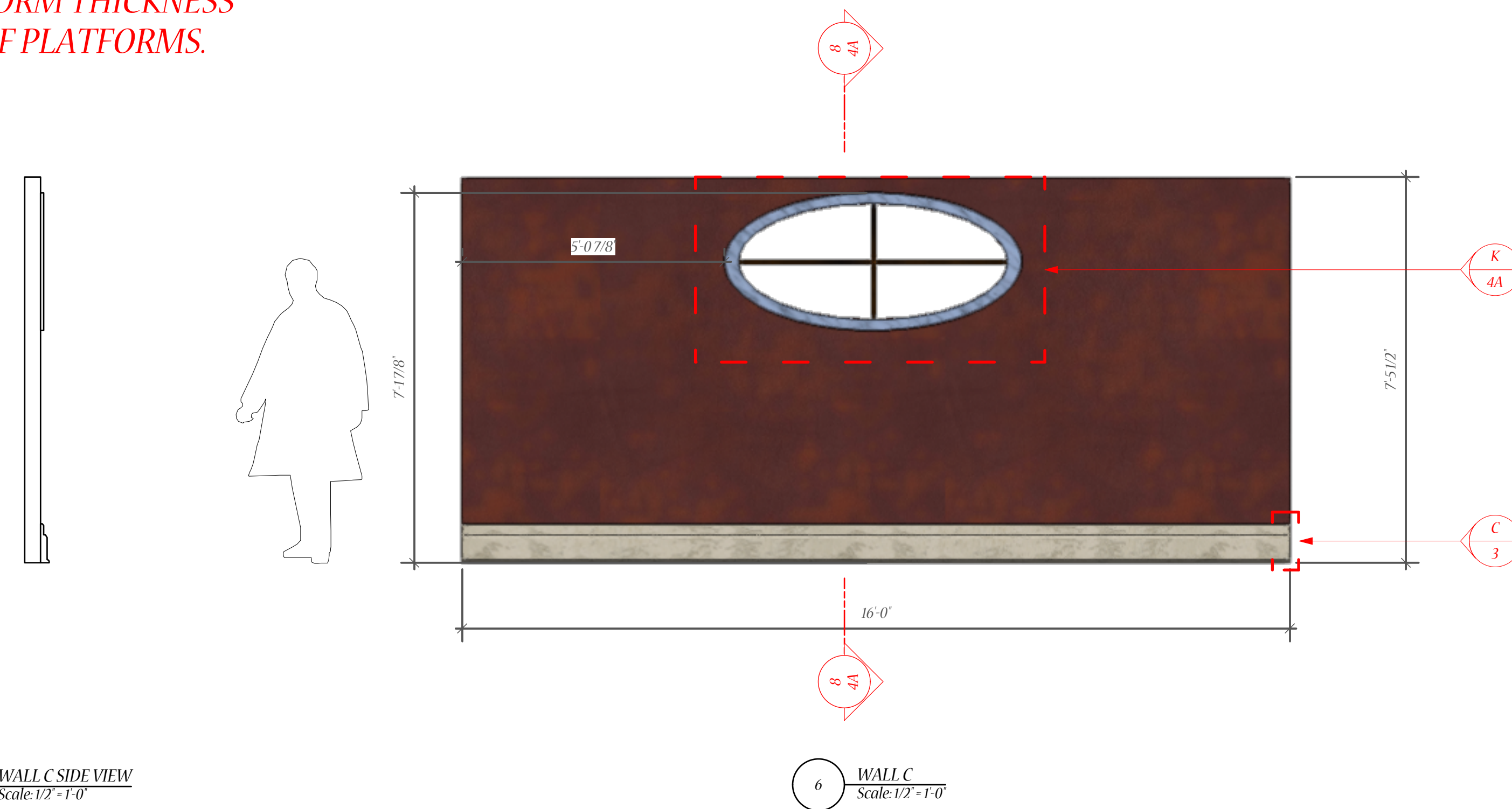


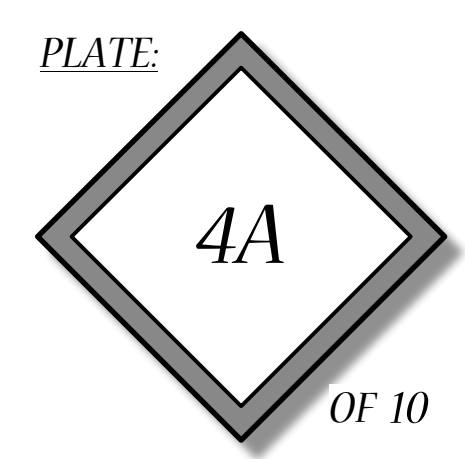
- NOTE: ADJUST WALL HEIGHTS AS NEEDED TO ACCOMEDATE STOCK PLATFORM THICKNESS TO ACHIEVE DESIRED HEIGHT OF PLATFORMS.



TITUS

BY: WILLIAM SHAKESPEARE
DIRECTOR: Jeremy Dubin
SCENIC DESIGNER: Justen N. Locke
TECHNICAL DIRECTOR: Elliott Hays-Wohle
COSTUME DESIGNER: Rainy Edwards
SOUND DESIGNER: Doug Borntager
LIGHTING DESIGNER: Alice Trent
PROJECTIONS DESIGNER: ALICE TRENT

LV. 1 WALLS



SCALE: 1/2"=1'-0"

REV.	DATE	NOTE

NOTES:

- ADJUST HEIGHT OF WALLS AS NEEDED TO BE STOCK. AS LONG AS IT DOES NOT THROUGH OFF OVER ALL HEIGHT OF SET TOO MUCH.
- ALL WALLS ARE FACED IN LAUAN.
- WALL DETAILS ARE ALL FLAT PAINTED. SO LUMBER SHOULD BE B/C OR BETTER.
- ANY CHANGES OR ADJUSTMENTS PLEASE DISCUSS WITH DESIGNER.